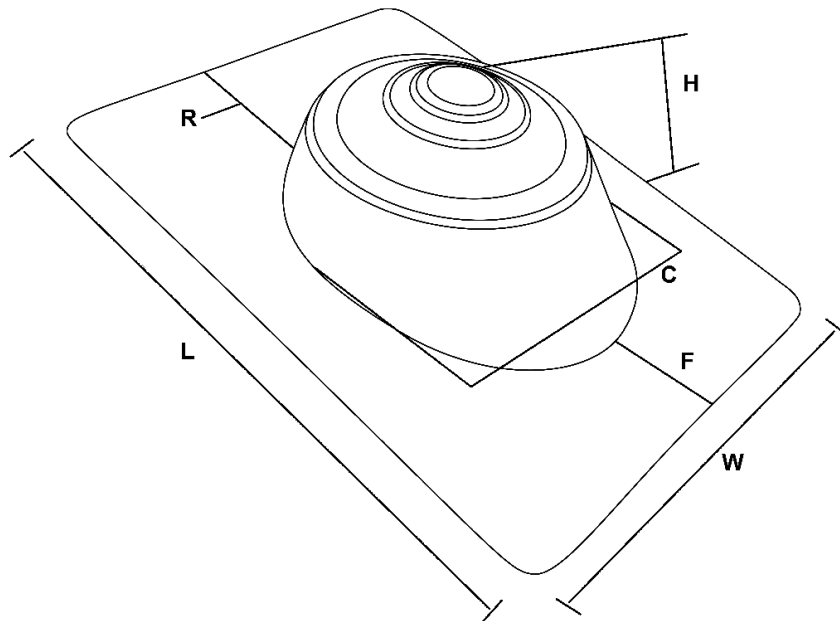


The Neverleak Company, LP

PREMIUM NEO-POLY ROOF FLASHINGS

SPECIFICATION:

Injection molded polypropylene no break hard base with premium elastomeric collar.
Fits from flat to 12:12 pitch (45°). All made from prime/virgin materials.



Roof Flashing Dimensional Characteristics

Stock #	Vent Size	Dim. W.	Dim. L.	Dim. R.	Dim. F.	Dim. C.	Dim. H.
PNP30	3"	10.750"	14.4375"	3.1875"	2.375"	7.5"	3.375"
PNP40	4"	10.750"	14.4375"	3.5"	2.5"	7.375"	3.125"
PNP123	1.5" x 2" x 3"	10.750"	14.4375"	3.1875"	2.375"	7.5"	3.375"
PNP340	3" x 4"	10.750"	14.4375"	3.5"	2.5"	7.375"	3.125"

ASTM INFORMATION:

Polypropylene Base

Tensile Strength@ yield, psi ASTM D638, 24hr water absorption ASTM D570

Premium Elastomeric Collar Typical Values: Durometer Hardness Shore A67, ASTM D2240.

Elongation at break 450%, ASTM D412.

Do not use petroleum based mastics, sealing compounds or paints on collar or base!