

THE NEVERLEAK COMPANY, LP

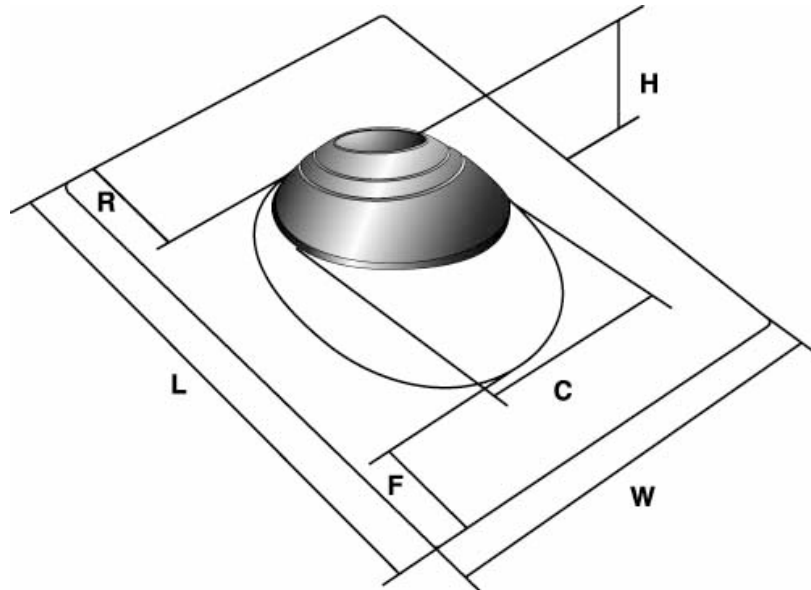
P.O. BOX 1397, OLIVE BRANCH, MS 38654 (662) 893-8190
TOLL FREE 1-800-274-2409 TOLL FREE FAX 1-800-876-6376
www.neverleakcompany.com

SPECIFICATION SUBMITTAL SHEET

NEVA-CALK™ ALUMINUM BASE MULTI-FIT™ ROOF FLASHINGS

SPECIFICATION:

Deep drawn commercially pure aluminum base .025 thick (25 mil.), which offers excellent corrosion resistance. An elastomeric Multi-Fit™ collar is mechanically locked to the base to form a one-piece assembly. All made from prime/virgin materials.



Multi-Fit™ Roof Flashing Dimensional Characteristics							
Stock#	Vent Size	Dim. W	Dim. L	Dim R	Dim. F	Dim. C	Dim. H
AN123	1.25" - 3"	10.75"	14.5"	4.25"	2.5"	5.25"	2.75"
AN340	3" - 4"	11.75"	15.5"	4.5"	2.5"	6.5"	3"

ASTM INFORMATION:

Aluminum:

ASTM B209 FED QQA 250011 AMS 4001 UNS A91100 Dead Soft Aluminum

Elastomeric Collar:

ASTM D2240 Specific Gravity D-792, Durometer Hardness Shore A65 Ultimate
Elongation 375%